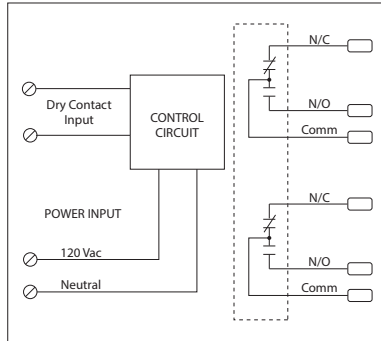


**DRY CONTACT INPUT TRACK MOUNT RELAYS**

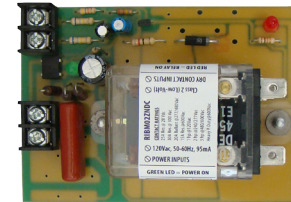
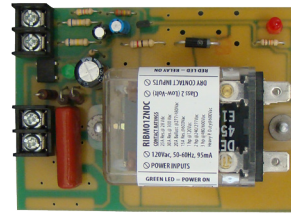
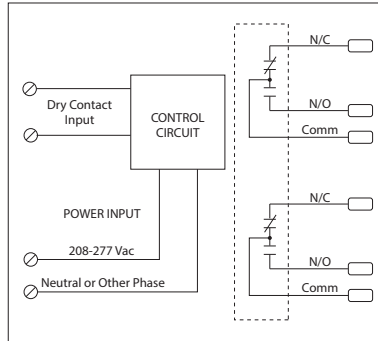
**RIBM01ZNDC**

4.00" Track Mount Relay 30 Amp DPDT, Class 2  
Dry Contact Input, **120 Vac Power Input**



**RIBM02ZNDC**

4.00" Track Mount Relay 30 Amp DPDT, Class 2  
Dry Contact Input, **208-277 Vac Power Input**



Made in USA  
Meets  
"Buy American"  
of ARRA 2009

RELAYS

**SPECIFICATIONS**

**# Relays & Contact Type:** One (1) DPDT Continuous Duty Coil 10  
**Expected Relay Life:** million cycles minimum mechanical -30  
to 140° F  
**Operating Temperature:**  
**Humidity Range:** 5 to 95% (noncondensing)  
**Operate Time:** 18ms  
**Relay Status:** Red LED On = Activated  
**Power Status:** Green LED On = Activated  
**Dimensions:** 2.875" x 4.000" x 1.750"  
**Track Mount:** 4.000", See MT4 Series on page 152 **MT4**  
**Mounting Track Sold Separately** UL  
**Approvals:** Component Recognized, UL916 C-UL

**Contact Ratings:**  
30 Amp Resistive @ 300 Vac 770 VA @ 120 Vac  
25 Amp Resistive @ 28 Vdc 1158 VA @ 240 Vac  
15 Amp Resistive @ 600 Vac 1109 VA @ 277 Vac  
3 HP @ 480-600 Vac 1640 VA @ 480 Vac  
2 HP @ 240/277 Vac NEMA B600 Pilot Duty  
1 HP @ 120 Vac  
20 Amp Ballast @ 277-480 Vac  
*Not rated for Electronic Ballast*

**Power Input:**  
95 mA @ 120 Vac (RIBM01ZNDC)  
95 mA @ 208-277 Vac (RIBM02ZNDC)

**Notes:**  
• Dry Contact Input Operation:  
Close dry contact to activate relay.

**Gold Flash:** Yes  
**Override Switch:** No